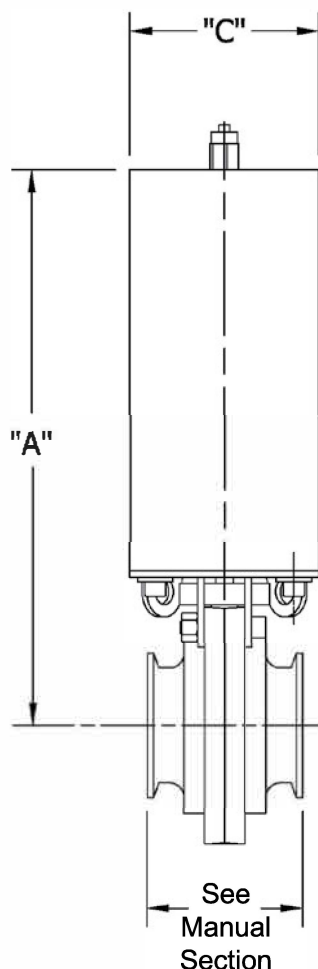


## S&O SERIES BUTTERFLY VALVES



Automated butterfly valves offer the same features and benefits of our manual butterfly valves, along with pneumatic actuation.

- *Required Actuation Air Pressure:*  
73 psi (min.) - 130 psi (max.)
- *Actuator material:* 304ss
- *Actuator spare parts available, includes:*  
Lock wire clip  
Contact seal  
PTFE gaskets  
SS E Circlip  
X-Ring Seal  
O-Rings
- *Available in "Normally Open", "Normally Closed" and "Dual Acting" actuation.*
- *1" - 3" is low mount actuator*  
*4" requires adapter for mounting (included).*
- *Available in 304 and 316L. (actuator 304)*
- *Silicone, EPDM and Viton seals available.*
- *Polished to 32Ra I.D./O.D.*
- *Actuators provided with 1/4" airline to M10 x 1 threaded adapter*
- *Proximity switch mounting ports on Actuators*  
*1" - 3" = (2) M12 x 1 female thread*  
*4" = (2) 12.5mm dia.*
- *Available with various end connections*
- *Actuator can mount to existing butterfly valves*

SIZE	A	C
1	8.91	3.35
1-1/2	9.02	3.35
2	9.53	3.35
2-1/2	9.58	3.35
3	9.81	3.35
4	15.44	4.73